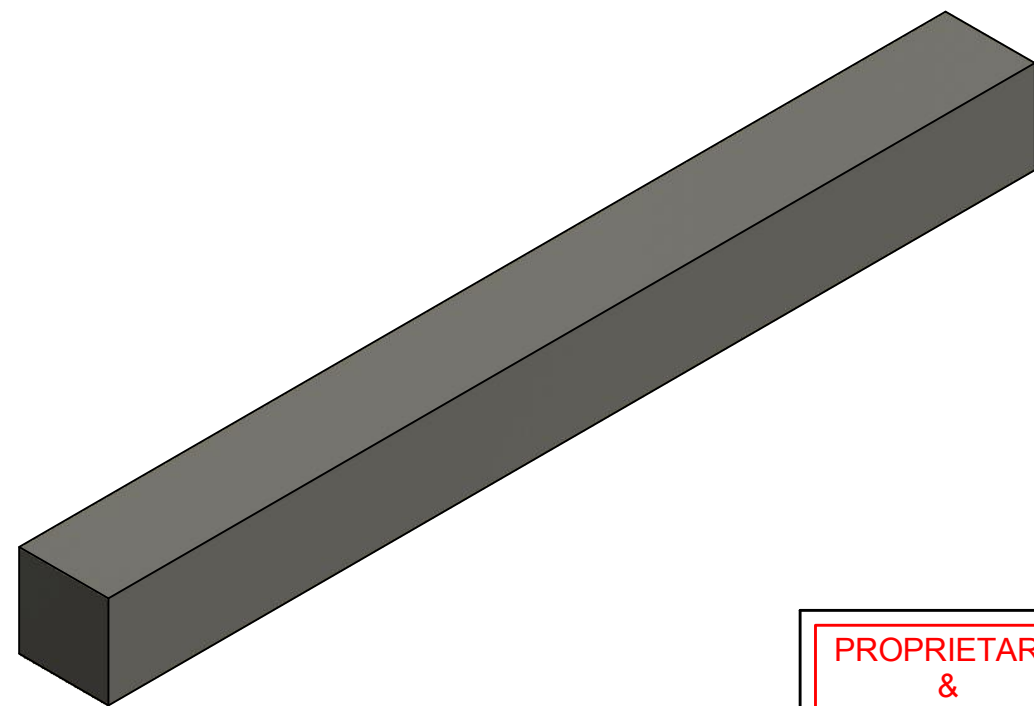
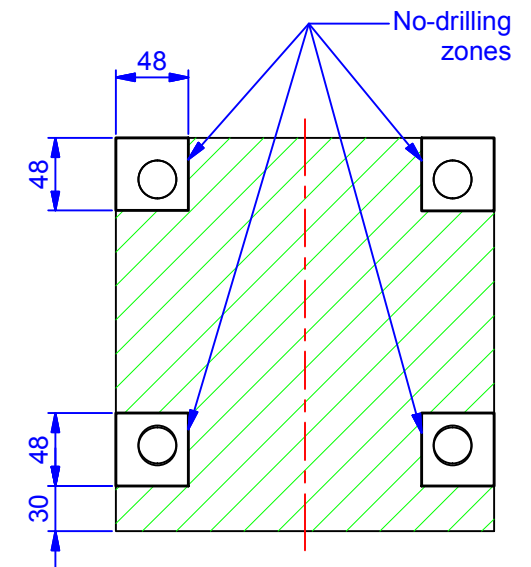


MACHINEABLE SKIN ON FULL LENGTH OF SLEEPER



Registration name: KLP® Hybrid Polymer Sleeper, Machinable Bridge HS, Type: 401
 Product number: 253943
 Drawing number: 253943-S
 Total weight: 182 kg

PROPRIETARY & CONFIDENTIAL

FOR INFORMATION

TITLE: Machinable Bridge HS, Type: 401

SUBJECT: KLP® Hybrid Polymer Sleeper

PROJECT:

CLIENT:

DWG.NO.:

253943-S

REV:

01

PARTNO.:

253943

SHEET:

1 OF 1

SCALE:

1 : 5

UNITS:

MM

SIZE:

A3

PROJ. METHOD



COMMENTS:

TOLERANCES UNLESS SPECIFIED: DIMENSIONAL: ±2% WEIGHT: ±10% < 5 kg > ±5%

Lankhorst Mouldings
Sneek-Holland

REV	DATE	BY	DESCRIPTION	CHK	APPR
01	07-03-2018	EvdW	Updated details	AKo	
00	22-6-2016	DvD	FIRST ISSUE		